



professional ideas
"Always" reaches the goal...

BD2000M
MULTI-PURPOSE
SURFACE DRILL RIG



barkomas.com





BD2000M

MULTI-PURPOSE
SURFACE DRILL RIG

The Bulldrill BD2000M is a heavy-duty multipurpose exploration drill rig and is the industry benchmark in performance.

The Bulldrill BD2000M is a heavy-duty multipurpose exploration drill rig and is the industry benchmark in performance. BD2000M offers more depth capacity in both diamond and reverse drilling when compared to its competitors. It is the most powerful drill rig in the Barkom Group range of exploration drills and is recognized as industry leading when it comes to performance.

BD2000M multipurpose drill rig advantages ; Speed of operation, safety, Accuracy, Drill capability with various material types, penetration rate, cost per meter (including cost-effectiveness methods are in unique drill rig), reliable samples, minimal environmental impact, etc.

Gear box

The most powerful heavy duty rotation unit, has the ability to drill both for diamond core drilling and reverse circulation drilling in this unit (the superior feature of drilling in two different drilling types with a single rotary head) The system torques the rod threads to the correct torque increasing drill rod life improving productivity



Main Power Unit



Transfer of the power of the powerful Volvo (315 hp) engine to selected hydraulic components using the best engineering practices and power transmission with high efficiency High efficiency thanks to the strong mast profile on which the 6 meter core barrel can be used

User Seat



User-friendly ergonomic operator's seat provides comfortable operation as well as vision dominance.

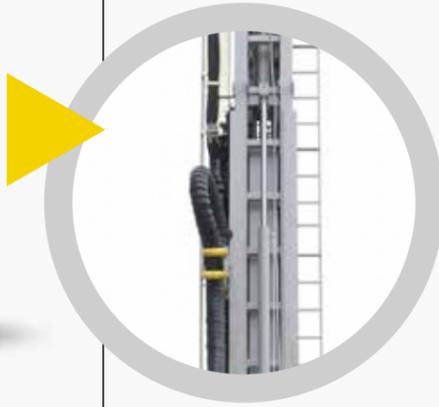


The tray includes an onboard rod storage bin, the rod bin is constructed to hold diamond core rods or reverse circulation rods. With its strong chassis and travel system, it can easily overcome any obstacle and move forward

Rod carrier on mounted the drill rig

The new look of quality...

*Custom design
Hose Bearing*



Thanks to the specially manufactured hose bed design, simplicity and traceability are ensured and the mobility is increased



*Rod Holder System For
Rc & Diamond Drilling*

Parker LHC series high cooling capacity hydraulic cooler / Barkom manufactured Bulldrill mud pump flow rate 200 l/min at 75 bar working pressure.

The new style of experience...

*Hydraulic Jacks
Stabilizers*

Easy setting and stability capability in sloping and difficult terrains



*Hydraulic Cooler and
Bulldrill mud pump*

Parker LHC series high cooling capacity hydraulic cooler / Barkom manufactured Bulldrill mud pump flow rate 200 l/min at 75 bar working pressure.



Braden Main Hoist

*Braden Main Winch
Pull Up Capacity 18 Ton*



BD2000
MULTI-PURPOSE

Wireline Hoist



High capacity wireline drum with standard equipment 6 mm thickness - 2300 m steel rope on it.



Cyclone

Dust collection unit designed for use in reverse circulation (RC) drilling applications – cyclone.

Double Wheeled Shieve System & Jib

Main Winch and wireline winch steel rope stabilizers rollers & 250KG Holding capacity, turnable Jib Winch with 8 mm steel rope to carry heavy rc rods.



Main Control Unit

User-friendly, practical and understandable operator panel where all drilling functions are decoupled





BD2000S SURFACE DRILL RIG
Gearbox with High Torque Output
Powerful Rod Holder/ Remote Control Travel

DIMENSIONS and WEIGHT	Length	mm	12050
	Width	mm	2850
	Height	mm	3750
	Mast Height	mm	11800
	Weight	ton	21,5
DIESEL MOTOR	Model	CUMMINS QSL 8.9/ VOLVO PENTA 7.7	
	Power	Kw/hp	225 kw - 300 hp / 235 kw - 315 hp
	Speed	rpm	1800 / 2200
	Number of Cylinder		6
	Cooling System		Water Cooling
	Fuel Capacity	l	300
	Control Panel (Murphy)Functions		High Temperature Level Hydraulic Oil Pressure Battery Voltage Value Diesel Engine Speed Ratio
ROTARY HEAD	Type		Heavy Duty Top Head Driven
	Rotation Unit Hydromotor		PARKER
	Reduction		spur gear
	Heavy Duty Slow Speed Hydraulic Motor		EATON
	1st rpm / torque	rpm/Nm	0-120 / 5880 - 9820
	2nd rpm / torque	rpm/Nm	470 -327 / 3204 -4606
	3rd rpm / torque	rpm/Nm	636-450 / 1470 - 2450
	4th rpm / torque	rpm/Nm	1100-700 / 931-1745
ROTARY HEAD SLIDING	Distance	mm	300

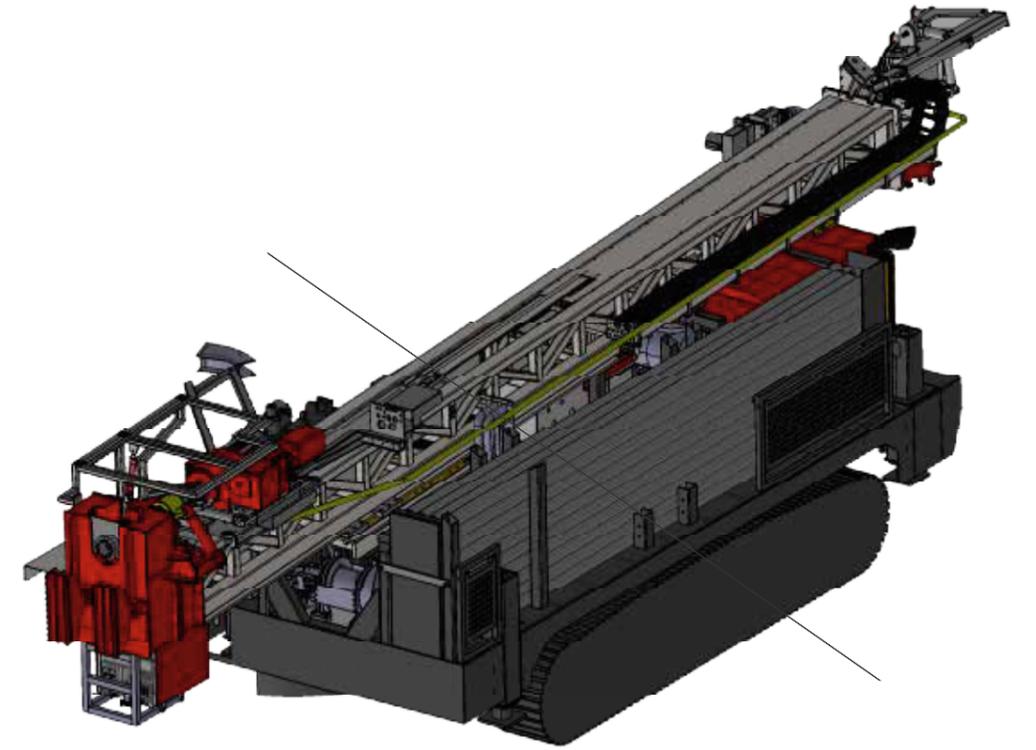
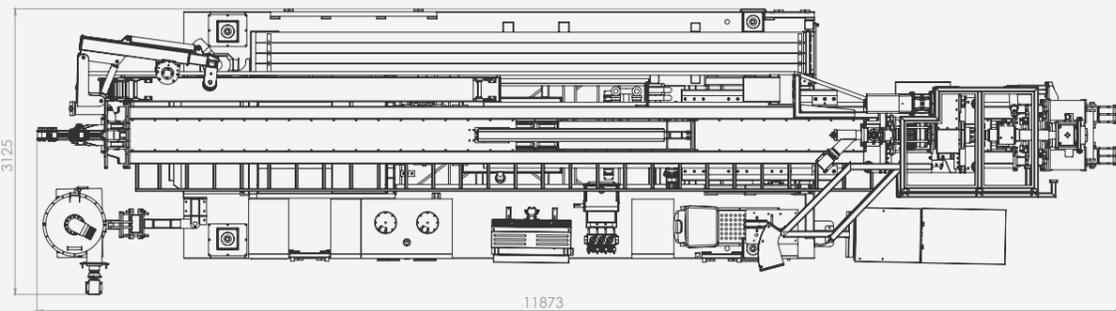
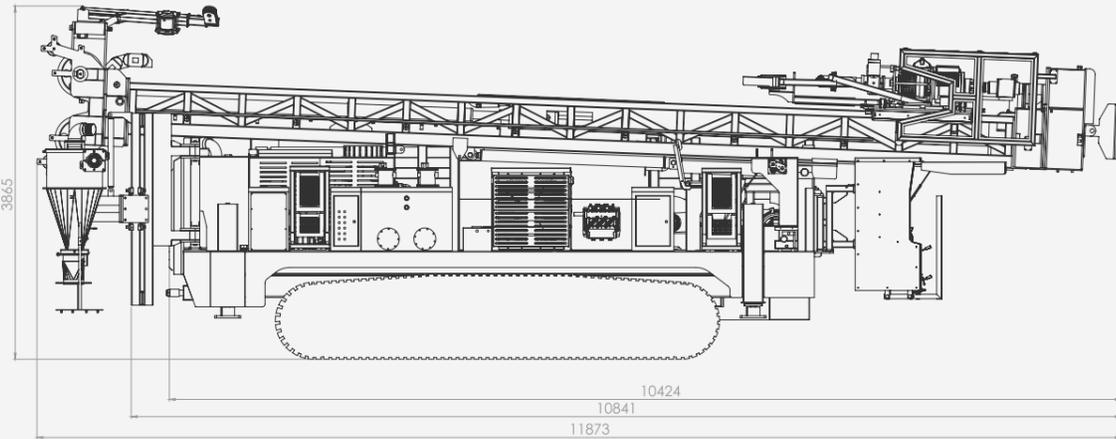
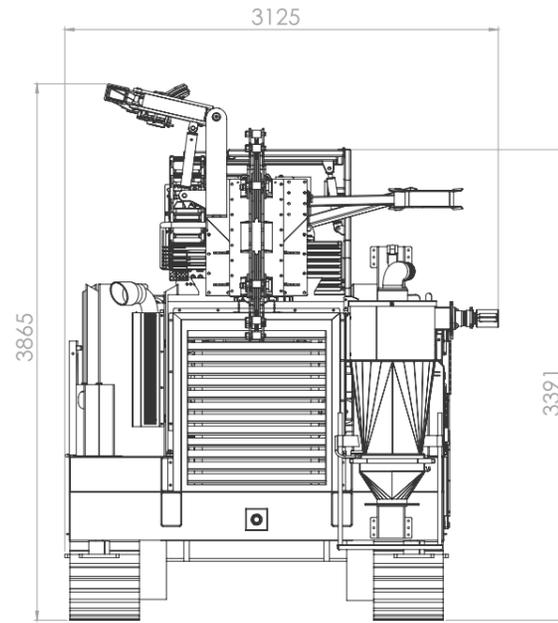


Heavy Duty, Hydraulic Cylinder-Driven, Rotary Head			
FEED SYSTEM	Head Movement	m	6,5
	Mast Type		Travel with chained system
	Pull-Up Capacity	ton	19
	Pull-Down Capacity	ton	10
	Feed Speed-Up Capacity (Variable)	m/dkmin	0-10
	Fast - Down	m/dkmin	25
	Feed Speed - Down	m/dkmin	30
ROD HOLDER JAW	Type		Hydraulic Open, Gas spring closed
	Max. Inside Diameter (w/o jaw)	mm	210
	Max. Inside Diameter (inc. jaw)	mm	114
ROTATION HYDRAULIC JAW	Holding Capacity	ton	18,5
	Maximum Diameter	mm	117
CRAWLER	Model		STRICKLAND
	Travel Speed	km/saath	3,1
	Height from Ground Level	mm	930
	Width	mm	500
CRANE	Rope Diameter	mm	18
	Rope Length	m	35
	Capacity	ton	max. 18
WIRELINE CRANE	Diameter of Wire Rope	mm	6
	Pull-Up Capacity	kN	15
	Length of Wire Rope	m	2300
HYDRAULIC JAW	Hydraulic jacks are placed outer corner of the machine so that stable levelling and critical balance is ensured		
	Height from Ground Level	mm	
HYDRAULIC SYSTEM	System		3 Pump Open loop
	Connection Type		3 Tandem Pump
	1st Main Pump		Kawasaki
	2nd Service Pump		Kawasaki
	3rd Service Pump		Kawasaki
	Hydraulic Oil Tank Capacity	l	325 Stainless Steel
	Hydraulic Equipments (hoses&fittings)		HANSA FLEX
TRAVEL	Cooling System		Air Cooling
	System		HBC Remote Control
MUD PUMP	Flow Rate	l/dkmin	200
	Operating Pressure	bar	75
DRILLING CAPACITY	PWL	m	750
	HWL	m	1200
	NWL	m	2000
	BWL	m	2500
	4 1/2" METZKE RC DRILLING	m	300

Barkom A.S reserves the right to make changes to its products without notice.
Drilling capacity -90°(vertical) is given. It may vary depending on formation and angular conditions.

BD2000M

MULTI-PURPOSE
SURFACE DRILL RIG



headquarter

BARKOM İŞ MERKEZİ
Aşağı Yahyalar Mahallesi
Anadolu Bulvarı
No: 204 Yenimahalle
TR-06210
ANKARA / TÜRKİYE

+90.312.385 60 50
+90.312.385 35 75

info@barkomas.com



 **BARKOM®**