



# BDU 150

**BULLDRILL**

**UNDERGROUND DRILL RIG**

[barkomas.com](http://barkomas.com)





# UNDERGROUND DRILL RIG



Ergonomic design with  
independent control unit,  
easy & practical to use  
with joystick.

**BULLDRILL**

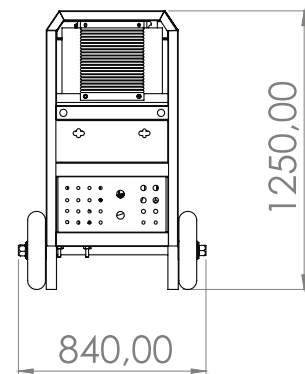
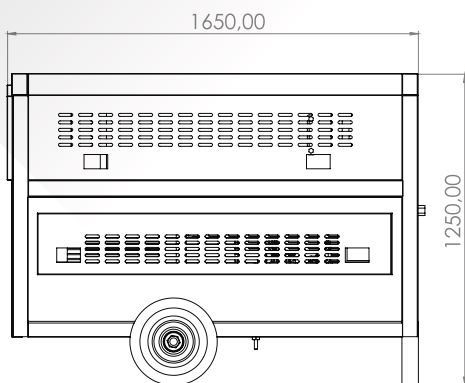
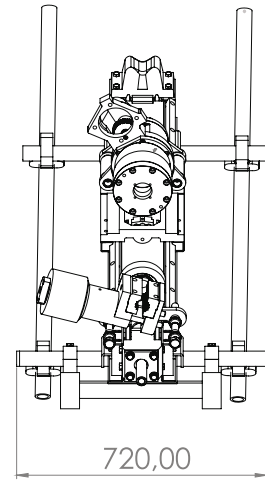
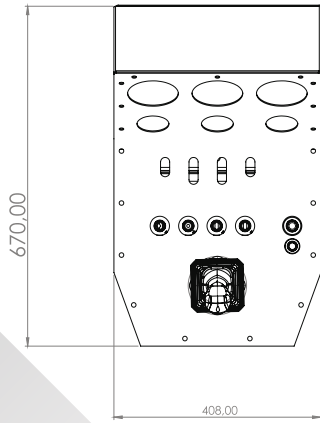
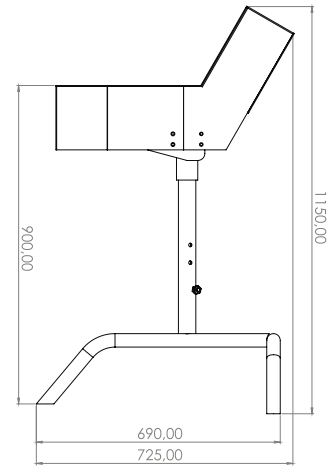
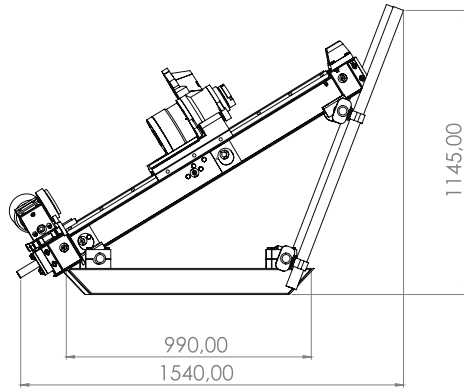
**BDU150**

The BDU150 has an independent wheeled power unit that can be used in limited operating areas. The compact structure of the easy-to-carry is the reason for the preference for narrow galleries. Stainless steel hydraulic tank, water and air coolers and powerful electric motor are the equipment located on drill rig. With its specially ventilated and capped design, the ease of maintenance is highlighted.



# BDU150

## TRANSPORT DIMENSIONS



### Rotary Head with High Torque Output Portable Control Panel

DIMENSIONS and WEIGHT	Length	mm	1650
	Width	mm	840
	Height	mm	1250
	Mast Height	mm	1250
	Weight	kg	1255
ELEKTRİK MOTORU	Model		ABB / SIEMENS
	Power	Kw/hp	30 / 40
	Speed / Voltage	rpm / V	1475 / 380 V
	Cooling System		Air Cooling
ROTARY HEAD	Type		Feeding Gear Box
	Reduction		helical gear
	Maximum Torque	Nm	250
	Travel Distance	mm	850
	Maximum Rod Diameter	mm	48

#### FEED SYSTEM

#### ▼ Heavy Duty, Hydraulic Cylinder-Driven Rotary Head

FEED SYSTEM	Cylinder		Hydraulic
	Mast Rotation		Manual
	Mast Anchoring		Supporting Legs
	Pull-Up Capacity	ton	2
	Pull-Down Capacity	ton	1,5
HYDRAULIC JAW	Maximum Diameter of Single Jaw	mm	48
HYDRAULIC SYSTEM	System		3 Pump Open
	Connection Type		loop
	Operating Pressure	bar	3 Tandem Pump
	1st Main Pump		280
	2nd Main Pump		Rexroth / Parker / Kawasaki
	3rd Sevice Pump	bar/cc	Rexroth / Parker / Kawasaki
	Hydraulic Oil Tank Capacity	l	200 / 16
	Filtration	micron	120
CONTROL UNIT and ELECTRICAL EQUIPMENT	Water Cooling System		HYDAC
	Control Panel		Portable
MUD PUMP	Electrical Equipments		DANFOSS / SUN VALVE SIEMENS/EATON/SCHNEIDER
	Flow Rate	l /dk.min	80
DRILLING CAPACITY	Operating Pressure	bar	60
	AW	m	150

Barkom A S reserves the right to make changes to its products without notice.

Drilling capacity -90(vertical) is given. It may vary depending on formation and angular conditions.

MERKEZ

BARKOM İŞ MERKEZİ  
Aşağı Yahyalar Mahallesi  
Anadolu Bulvarı  
No: 204 Yenimahalle  
TR-06210  
ANKARA / TÜRKİYE

+90.312.385 60 50  
+90.312.385 35 75

info@barkomas.com

